

%

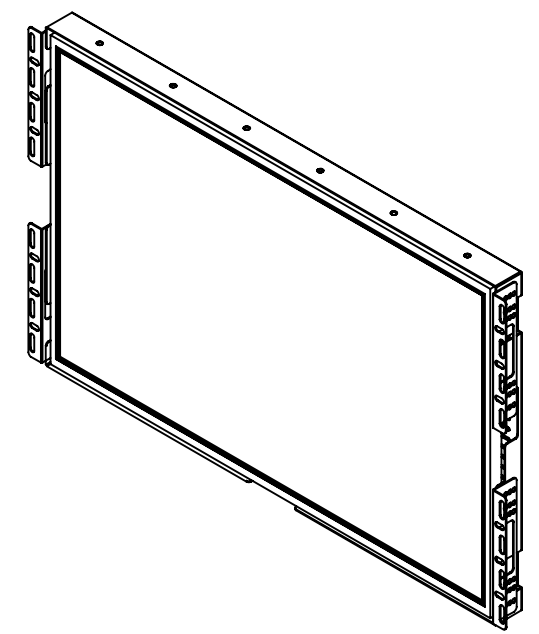
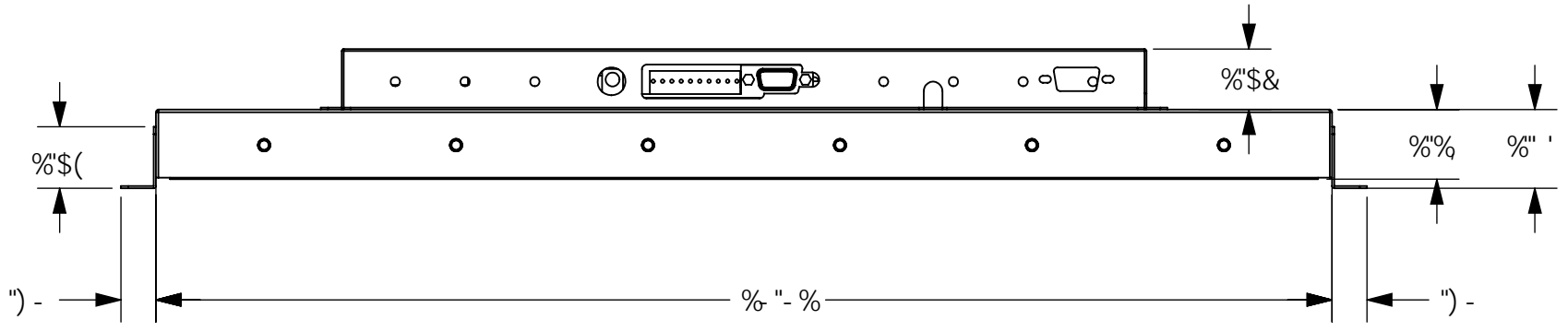
&

(

)

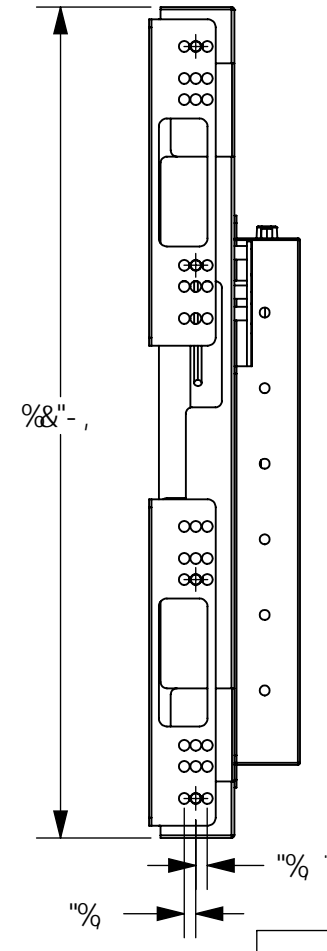
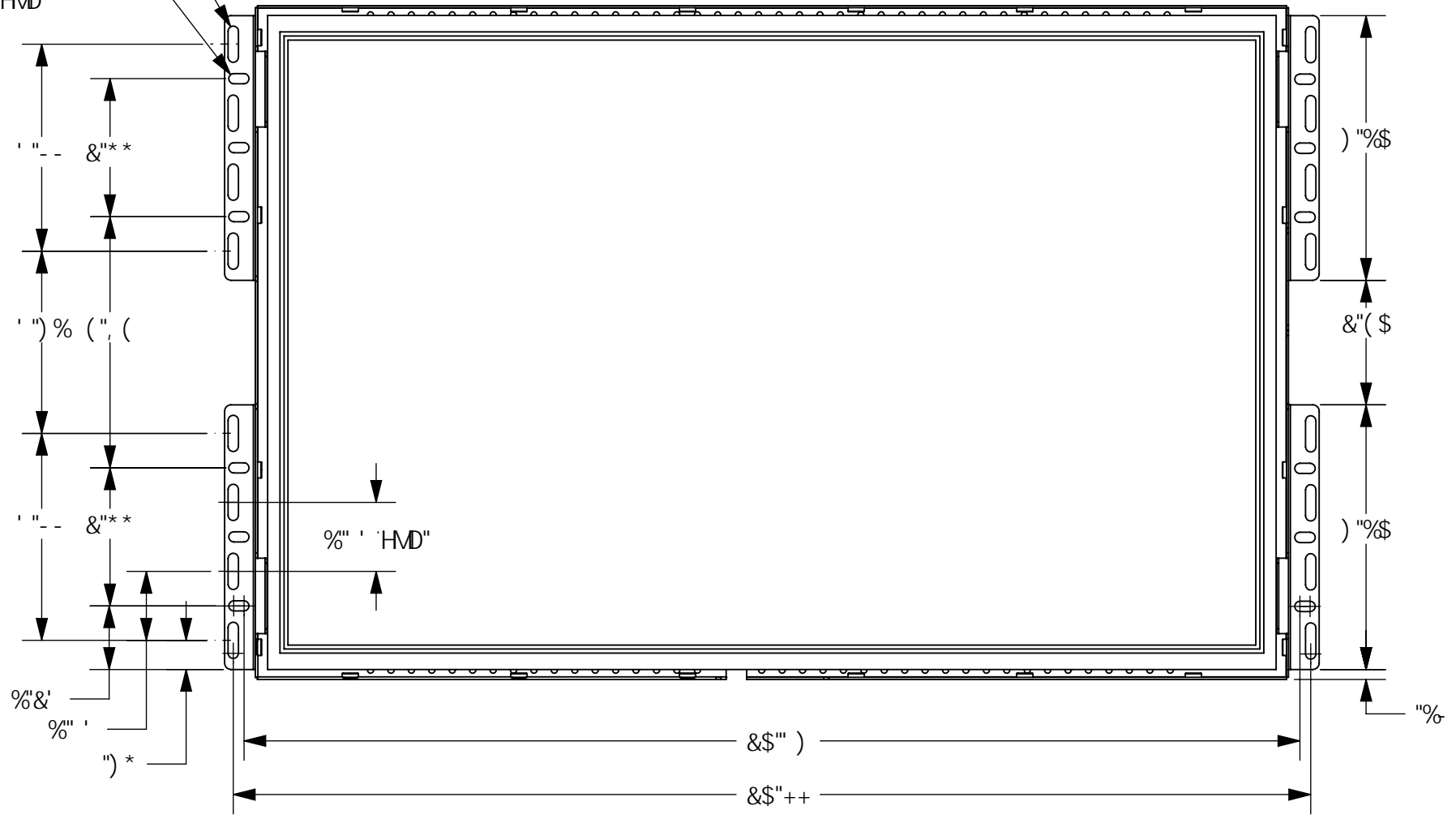
(-!%\$( (%\$\$; 5

F9J*	NC B9		97'B"	6M	85HP
5	!	B #15 @F 9@95 G9	!	>5F	%&#\$( #-\$-



Ø"&\$L") \$'G@C H  
HMD"

Ø"&\$L"&\$'G@C H  
HMD"



**SUZO HAPP®**

GAMING, AMUSEMENT AND INDUSTRIAL COMPONENTS

&&\"/>

HC @F5B7 9G5F9. 897-A5@G 5B; @G -#% & LL'±\"/>	8C'BC HG7 5@'8F5K B; " H-GDF-BH-GH-9DFCD9FHC: 'G' NC <5DD; FCID 5B8'G<5@BCH69F9DFC 81 7 98z7C D-98'BC F'8-67 @C G98' HC'CH:9FG' DF-BHHC' 69F9H FB98'1 DC B'F9E 1 9GH	8F5K B'6M >5F 85HP %&#\$( #-\$- 85HP	6 G7 5@9 %.' ' G<99H %CZ%	(-!%\$( (%\$\$; 5 5
------------------------------------------------------	-------------------------------------------------------------------------------------------------------------------------------------------------------------------------------	--------------------------------------	---------------------------	---------------------